



Hirnaht
Brain Suture
Suture cérébrale
Sutura cerebral

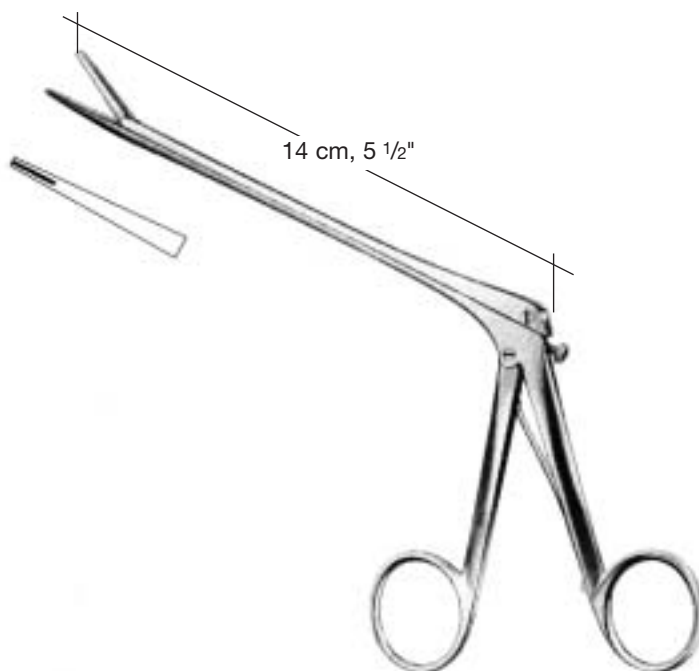
18



MC KENZIE

18-1011.15 15 cm, 5 3/4"

18-1011.19 19 cm, 7 1/2"



OLIVECRONA-TOENNIS

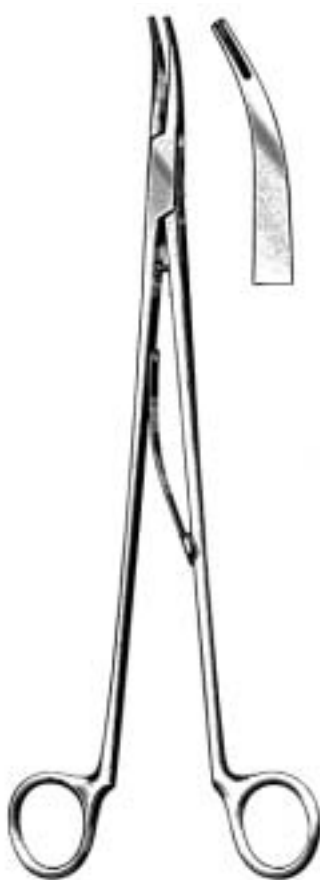
18-1019.14



MC KENZIE

18-1013.15 15 cm, 5 3/4"

18-1013.19 19 cm, 7 1/2"



SMITHWICK

18-1015.23 23 cm, 9"

18-1015.26 26 cm, 10 1/4"



SWEET

18-1017.23 23 cm, 9"

18-1017.26 26 cm, 10 1/4"

Hirnaht, Schädelhalter
Brain Suture, Cervical Traction Tongs
Suture cérébrale, Pinces de traction cranienne
Sutura cerebral, Pinzas de tracción cranial



18-1020.00

148 x 40 x 6 mm



18-1021.00

100 Stück / Pieces / Pièces / Piezas



Kopfhautklammer, -anlegezange
 Scalp Hemostasis Clip, Applying Forceps
 Pince hémostatique pour le cuir chevelu, pince à poser
 Pinza hemostática para cuero cabelludo, pinza para poner



RANEY

18-1028.00

RANEY

18-1027.00

3,5 mm



CRUTCHFIELD

18-1026.35

5,0 mm



CRUTCHFIELD

18-1026.50



CRUTCHFIELD

18-1025.01



CRUTCHFIELD

18-1025.02

Nervhaken
Nerve Retractors
Ecarteurs á nerfs
Separadores para nervios



DANDY

18-1051.20

20 cm, 8"



DANDY

18-1052.20

20 cm, 8"



DANDY

18-1053.20

20 cm, 8"



GRAHAM

18-1061.16

16,5 cm, 6 1/2"



CUSHING

18-1056.28

28 cm, 11"



CUSHING

18-1058.28

28 cm, 11"



ADSON

18-1068.20

20 cm, 8"



ADSON

18-1069.20

20 cm, 8"

Nervhaken
Nerve Retractors
Ecarteurs á nerfs
Separadores para nervios



LOVE

18-1080.19

19 cm, 7 1/2"



LOVE

18-1081.19

19 cm, 7 1/2"



LOVE

18-1083.19

19 cm, 7 1/2"



SACHS

18-1064.18

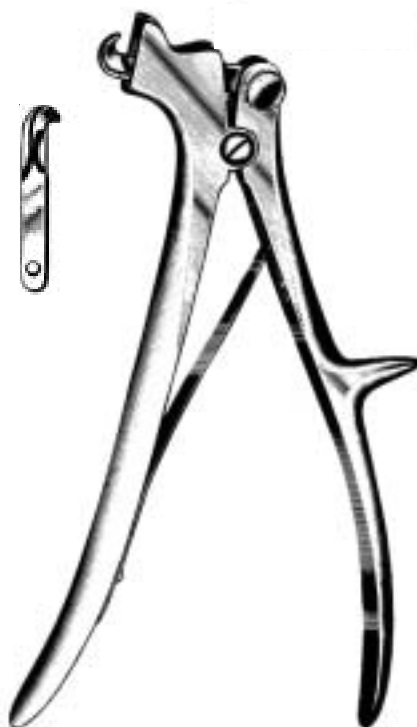
18,5 cm, 7 1/4"



SMITHWICK

18-1070.29

29 cm, 11 1/4"



DE VILBISS

18-1096.21

21 cm, 8 1/4"

Dura-Dissektoren
Dura Dissectors
Dissecteurs à duremère
Disectores para duramadre



DE MARTEL

18-1090.33

33 cm, 13"



OLIVECRONA

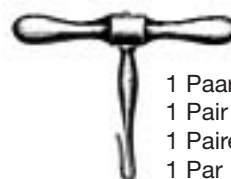
18-1092.30 30 cm

18-1092.40 40 cm

18-1092.50 50 cm

18-1092.60 60 cm

18-1092.70 70 cm



1 Paar
 1 Pair
 1 Paire
 1 Par

GIGLI

18-1094.00



TOENNIS

18-1141.25

25 cm, 10"



SACHS

18-1143.21

21 cm, 8 1/4"



SACHS

18-1145.21

21 cm, 8 1/4"

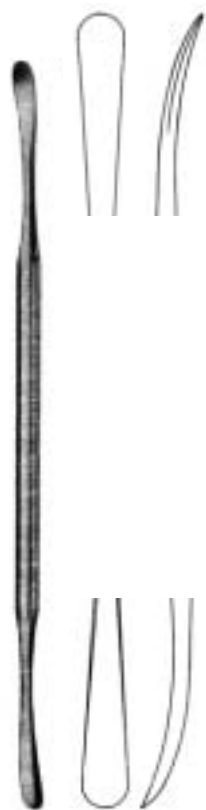


MILLIGAN

18-1147.21

21 cm, 8 1/4"

Dura-Dissektoren
Dura Dissectors
Dissecteurs à duremère
Disectores para duramadre



18-1149.22

22 cm, 8 1/2"



DAVIS

18-1151.24

24 cm, 9 1/2"



HORSLEY

18-1155.20

20 cm, 8"



PENFIELD

18-1161.01

17,5 cm, 7"



PENFIELD

18-1161.02

19,5 cm, 7 3/4"



PENFIELD

18-1161.03

19,5 cm, 7 3/4"



HALLE

18-1170.20

20 cm, 8"

Hypophysenpinzetten, Hirnspatel
 Hypophyseal Forceps, Brain Spatulas
 Pincas à hypophyse, Spatules cérébrales
 Pinzas para hipófisis, Espatulas cerebrales



ADSON
18-1210.23

23 cm, 9"



ADSON
18-1211.23

23 cm, 9"



ADSON
18-1213.23

23 cm, 9"



CUSHING

18-1250.07	7/9 mm
18-1250.11	11/13 mm
18-1250.15	15/18 mm
18-1250.18	18/22 mm



OLIVECRONA

18-1253.07	7/9 mm
18-1253.11	11/13 mm
18-1253.15	15/18 mm
18-1253.18	18/22 mm



HEIFETZ

18-1260.08	8 mm
18-1260.11	11 mm
18-1260.14	14 mm
18-1260.17	17 mm

Saugrohre, Wirbelkörperspreizer
Suction Tubes, Lamina Spreaders
Tubes d'aspiration, Ecarteurs pour corps vertébraux
Tubos de aspiración, Separadores para cuerpos vertebrales



ADSON

18-1290.21

21 cm, 8 1/4"



FRAZIER

18-1298.12

12 cm, 4 3/4"



FRAZIER

30°	
18-1295.06	Charr. 6
18-1295.07	Charr. 7
18-1295.08	Charr. 8
18-1295.09	Charr. 9
18-1295.10	Charr. 10
18-1295.11	Charr. 11
18-1295.12	Charr. 12

75°	
18-1297.06	Charr. 6
18-1297.07	Charr. 7
18-1297.08	Charr. 8
18-1297.09	Charr. 9
18-1297.10	Charr. 10
18-1297.11	Charr. 11
18-1297.12	Charr. 12



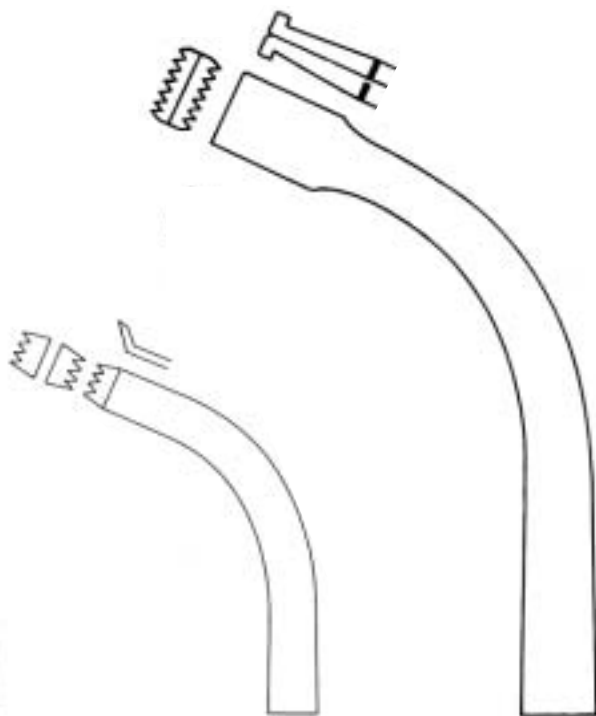
CLOWARD

18-1301.16

16 cm, 6 1/4"



INGE

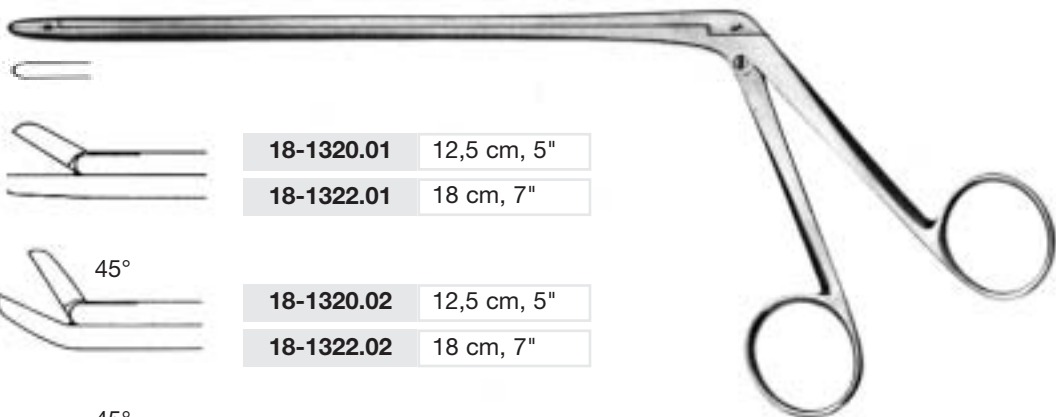


18-1305.17

17 cm, 6 3/4"

18-1305.27

27 cm, 10 1/2"



2,0 x 10 mm

18-1320.01	12,5 cm, 5"
18-1322.01	18 cm, 7"

2,0 x 10 mm

45°

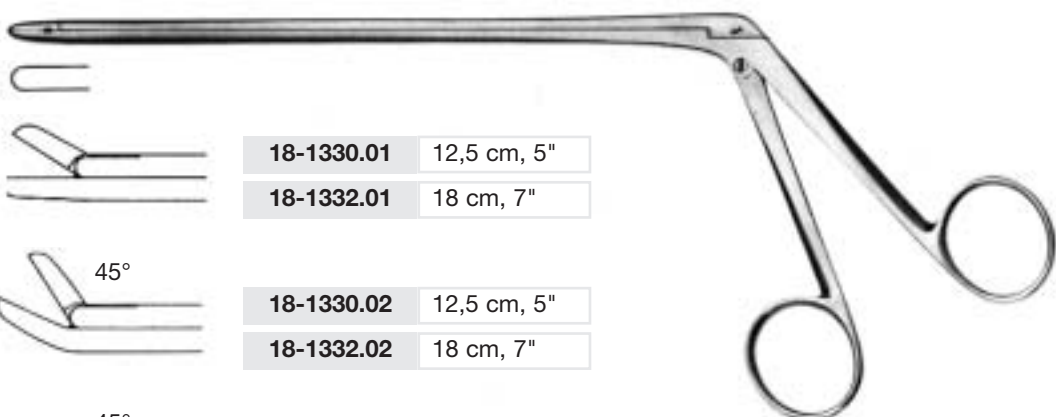
18-1320.02	12,5 cm, 5"
18-1322.02	18 cm, 7"

2,0 x 10 mm

45°

18-1320.03	12,5 cm, 5"
18-1322.03	18 cm, 7"

CUSHING



3,0 x 10 mm

18-1330.01	12,5 cm, 5"
18-1332.01	18 cm, 7"

3,0 x 10 mm

45°

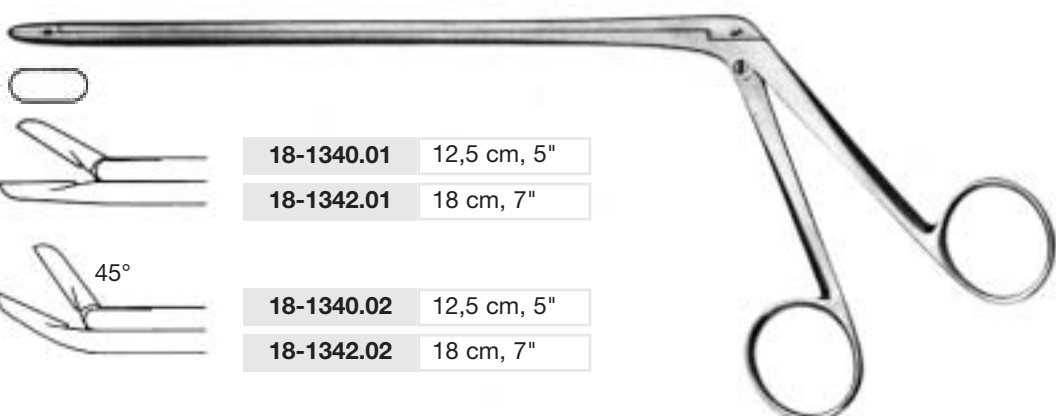
18-1330.02	12,5 cm, 5"
18-1332.02	18 cm, 7"

3,0 x 10 mm

45°

18-1330.03	12,5 cm, 5"
18-1332.03	18 cm, 7"

LOVE-GRUENWALD



4,0 x 10 mm

18-1340.01	12,5 cm, 5"
18-1342.01	18 cm, 7"

4,0 x 10 mm

45°

18-1340.02	12,5 cm, 5"
18-1342.02	18 cm, 7"

4,0 x 10 mm

45°

18-1340.03	12,5 cm, 5"
18-1342.03	18 cm, 7"

SPURLING



OLDBERG

18-1344.25

25 cm, 10"

3,0 x 10 mm



18-1350.01 16 cm, 6 1/4"

18-1352.01 18 cm, 7"

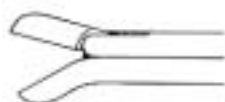
3,0 x 10 mm



18-1350.02 16 cm, 6 1/4"

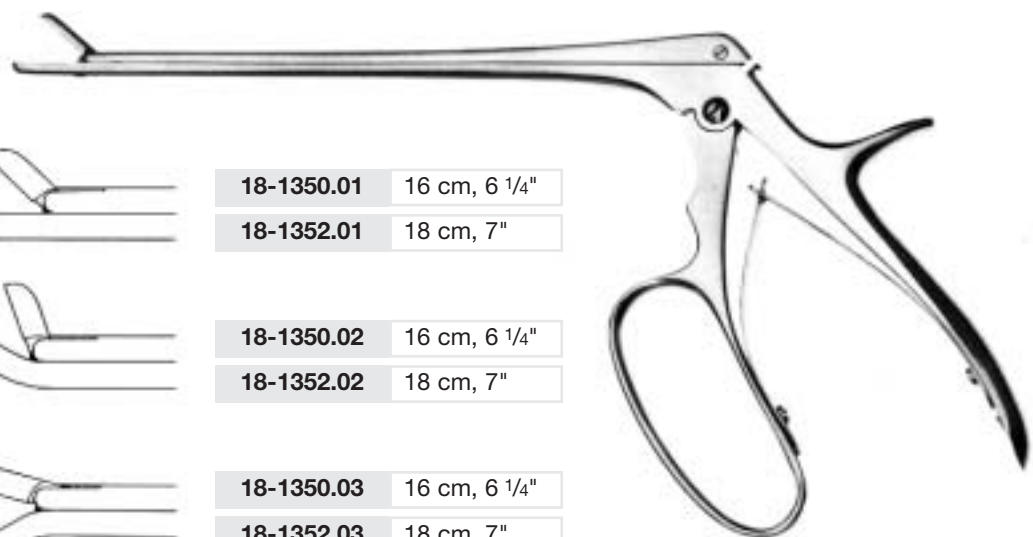
18-1352.02 18 cm, 7"

3,0 x 10 mm



18-1350.03 16 cm, 6 1/4"

18-1352.03 18 cm, 7"



FERRIS-SMITH

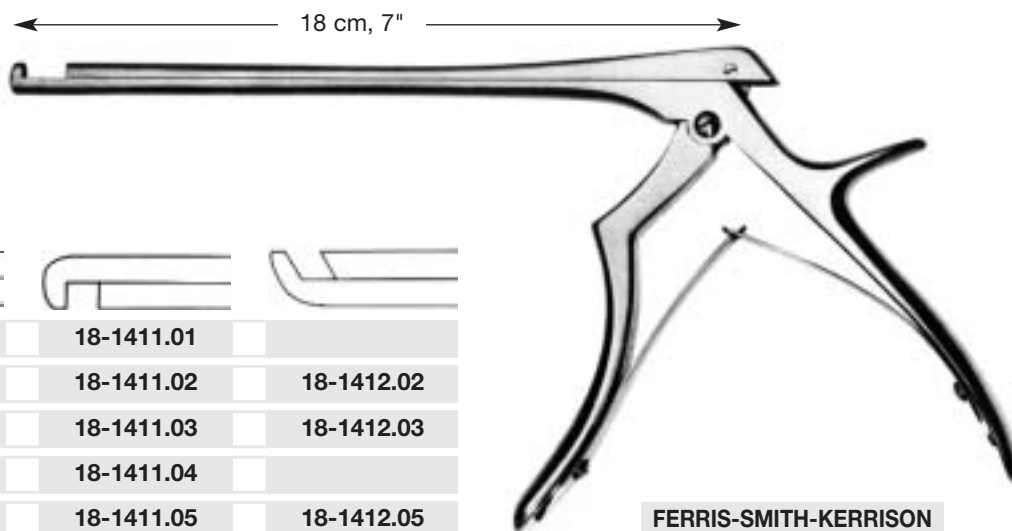
4,0 mm



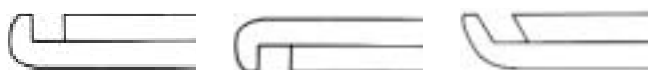
WAGNER

18-1358.20

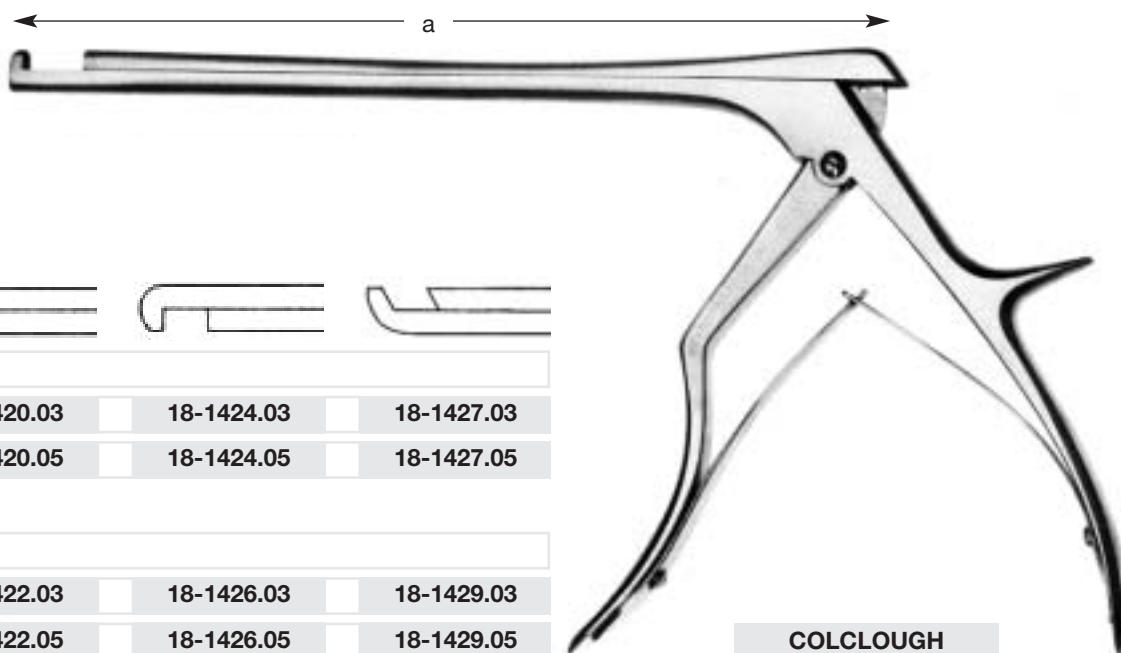
20 cm, 8"



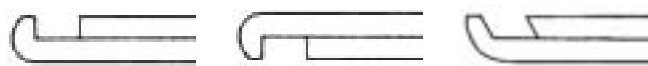
FERRIS-SMITH-KERRISON



1 mm	18-1410.01	18-1411.01	
2 mm	18-1410.02	18-1411.02	18-1412.02
3 mm	18-1410.03	18-1411.03	18-1412.03
4 mm	18-1410.04	18-1411.04	
5 mm	18-1410.05	18-1411.05	18-1412.05



COLCLOUGH



a = 15 cm, 5 3/4"

3 mm	18-1420.03	18-1424.03	18-1427.03
5 mm	18-1420.05	18-1424.05	18-1427.05

a = 20 cm, 8"

3 mm	18-1422.03	18-1426.03	18-1429.03
5 mm	18-1422.05	18-1426.05	18-1429.05

Neuro- und Gefäßchirurgie
Neuro and Vascular Surgery
Neuchirurgie et chirurgie vasculaire
Neurocirugía y cirugía vascular



MINI
permanent



Kat. Nr. Cat. ref. No. de cat. Núm. de cat.	18-1470.30	18-1472.30	18-1480.35	18-1482.35	18-1484.33	18-1490.30	18-1492.35
Maullänge Length of Jaws Longueur des mors Longitud de boca	3,0 mm	3,0 mm	5,0 mm	5,0 mm	5,0 mm	3,0 mm	5,0 mm
Maulöffnung Opening of jaws Ouverture des mors Apertura de boca	3,0 mm	3,0 mm	3,5 mm	3,5 mm	3,3 mm	3,0 mm	3,5 mm
Schließkraft Closing Force Force de fermeture Presión de oclusión	100-130 g	100-130 g	100-130 g	100-130 g	100-130 g	100-130 g	100-130 g



18-1494.35	18-1496.33	18-1498.30	18-1510.40	18-1512.38	18-1514.35	18-1518.50	18-1566.40
5,0 mm	5,0 mm	5,0 mm	7,0 mm	7,0 mm	7,0 mm	7,0 mm	7,0 mm
3,5 mm	3,3 mm	3,0 mm	4,0 mm	3,8 mm	3,5 mm	5,0 mm	4,0 mm
100-130 g	100-130 g	100-130 g	100-130 g	100-130 g	100-130 g	80-100 g	100-130 g



MINI
temporary

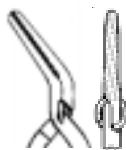


Kat. Nr. Cat. ref. No. de cat. Núm. de cat.	18-1471.30	18-1481.35	18-1483.35	18-1511.40	18-1513.38	18-1515.35
Maullänge Length of Jaws Longueur des mors Longitud de boca	3,0 mm	5,0 mm	5,0 mm	7,0 mm	7,0 mm	7,0 mm
Maulöffnung Opening of jaws Ouverture des mors Apertura de boca	3,0 mm	3,5 mm	3,5 mm	4,0 mm	3,8 mm	3,5 mm
Schließkraft Closing Force Force de fermeture Presión de oclusión	35-45 g	35-45 g	35-45 g	40-50 g	40-50 g	40-50 g

Neuro- und Gefäßchirurgie
Neuro and Vascular Surgery
Neuchirurgie et chirurgie vasculaire
Neurocirugía y cirugía vascular



STANDARD
permanent



Kat. Nr. Cat. ref. No. de cat. Núm. de cat.	18-1420.55	18-1422.53	18-1424.48	18-1426.50	18-1426.68	18-1430.60	18-1432.60
Maullänge Length of Jaws Longueur des mors Longitud de boca	7,0 mm	7,0 mm	7,0 mm	7,0 mm	7,0 mm	9,0 mm	9,0 mm
Maulöffnung Opening of jaws Ouverture des mors Apertura de boca	5,5 mm	5,3 mm	4,8 mm	5,0 mm	6,8 mm	6,0 mm	6,0 mm
Schließkraft Closing Force Force de fermeture Presión de oclusión	110-140 g	110-140 g	110-140 g	110-140 g	110-140 g	110-140 g	110-140 g



Kat. Nr. Cat. ref. No. de cat. Núm. de cat.	18-1434.50	18-1438.75	18-1440.68	18-1442.65	18-1444.58	18-1450.80	18-1452.75
Maullänge Length of Jaws Longueur des mors Longitud de boca	9,0 mm	9,0 mm	11,0 mm	11,0 mm	11,0 mm	15,0 mm	15,0 mm
Maulöffnung Opening of jaws Ouverture des mors Apertura de boca	5,0 mm	7,5 mm	6,8 mm	6,5 mm	5,8 mm	8,0 mm	7,5 mm
Schließkraft Closing Force Force de fermeture Presión de oclusión	110-140 g	110-140 g	110-140 g	110-140 g	110-140 g	100-130 g	100-130 g



Kat. Nr. Cat. ref. No. de cat. Núm. de cat.	18-1454.65	18-1470.68	18-1480.38
Maullänge Length of Jaws Longueur des mors Longitud de boca	15,0 mm	9,0 mm	7,0 mm
Maulöffnung Opening of jaws Ouverture des mors Apertura de boca	6,5 mm	6,8 mm	3,8 mm
Schließkraft Closing Force Force de fermeture Presión de oclusión	100-130 g	110-140 g	110-140 g



STANDARD
temporary



Kat. Nr. Cat. ref. No. de cat. Núm. de cat.	18-1431.73	18-1433.73	18-1435.63	18-1451.00
Maullänge Length of Jaws Longueur des mors Longitud de boca	9,0 mm	9,0 mm	9,0 mm	15,0 mm
Maulöffnung Opening of jaws Ouverture des mors Apertura de boca	7,3	7,3 mm	6,3 mm	10,0 mm
Schließkraft Closing Force Force de fermeture Presión de oclusión	40-50 g	40-50 g	40-50 g	60-80 g



Kat. Nr. Cat. ref. No. de cat. Núm. de cat.	18-1453.93	18-1455.80	18-1461.12	18-1463.11
Maullänge Length of Jaws Longueur des mors Longitud de boca	15,0 mm	15,0 mm	20,0 mm	20,0 mm
Maulöffnung Opening of jaws Ouverture des mors Apertura de boca	9,3 mm	8,0 mm	12,0 mm	11,5 mm
Schließkraft Closing Force Force de fermeture Presión de oclusión	60-80 g	60-80 g	80-100 g	80-100 g



Anlegezangen
 Applying Forceps
 Pinces de poser
 Pinzas de aplicación

18-1572.21 MINI

18-1574.21 STANDARD

21 cm, 8 1/4"

