

Mastdarm
Rectum
Rectum
Recto





SIMS

31-1110.15

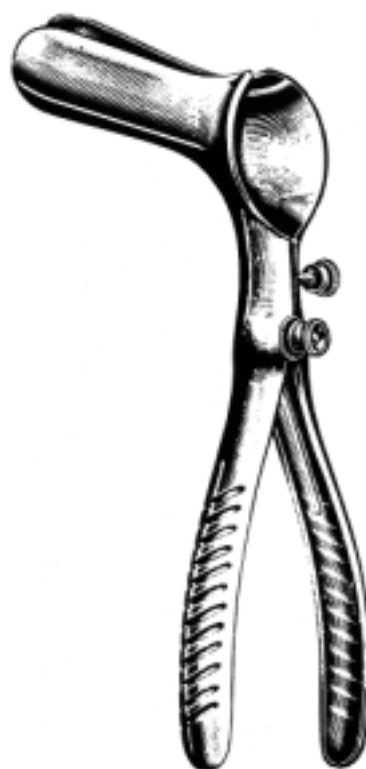
15 cm, 5 3/4"



BODENHAMMER

31-1115.15

15 cm, 5 3/4"



PRATT

31-1121.22

22 cm, 8 1/2"



BARR

31-1125.17

17 cm, 6 3/4"



MATHIEU

31-1130.19

19,5 cm, 7 3/4"



CZERNY

31-1105.22

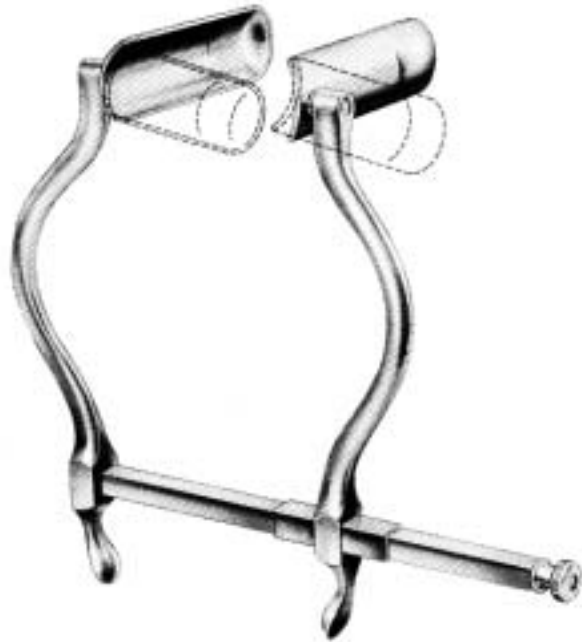
22 cm, 8 1/2"



ALLAN-PARKS

31-1147.00

13,5 cm, 5 1/4"



SMITH-BUIE

31-1150.15

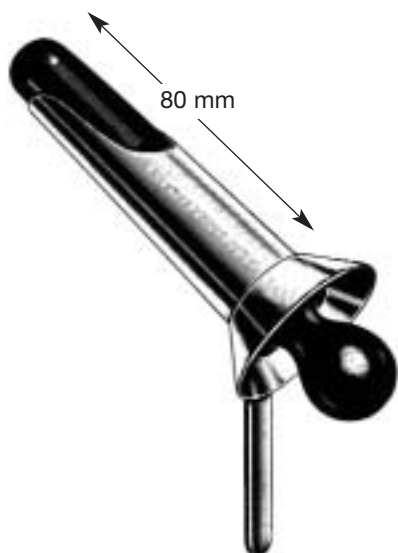
15 cm, 5 3/4"



STRAUSS

31-1160.00

komplett mit Holzetui
complete with wooden case
complet avec boîte bois
completo con estuche de madera



IVES-FANSLER

31-1210.22

Ø 22 mm



HIRSCHMANN

31-1212.16 16 mm

31-1212.19 19 mm

31-1212.22 22 mm



KELLY

31-1224.21 21 x 50 mm

31-1224.27 27 x 50 mm



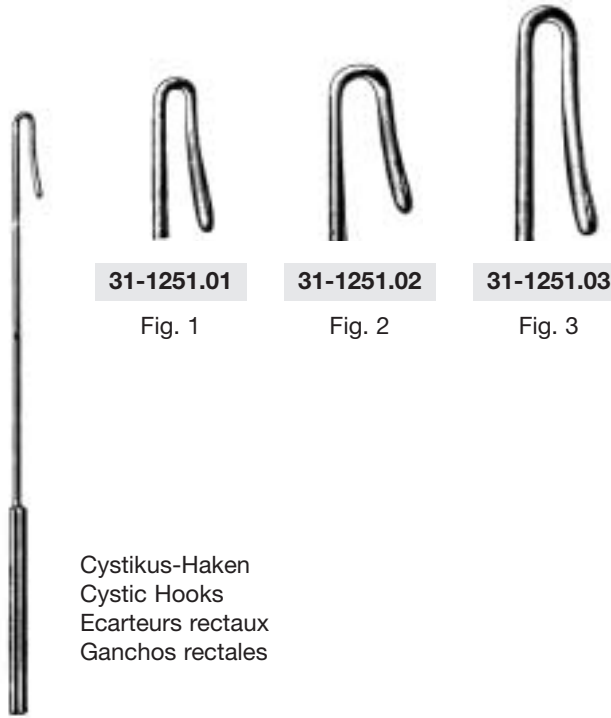
KELLY

31-1220.05 22 x 50 mm

31-1220.10 22 x 100 mm

31-1220.14 22 x 140 mm

31-1220.20 22 x 200 mm



31-1251.01

Fig. 1

31-1251.02

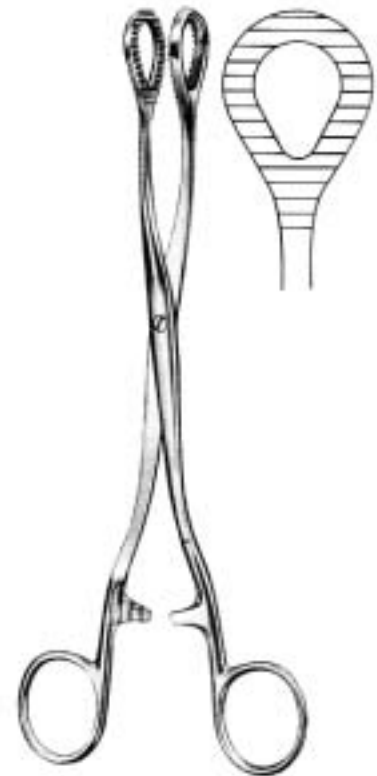
Fig. 2

31-1251.03

Fig. 3

Cystikus-Haken
Cystic Hooks
Ecarteurs rectaux
Ganchos rectales

PRATT



HEYWOOD-SMITH

31-1402.21

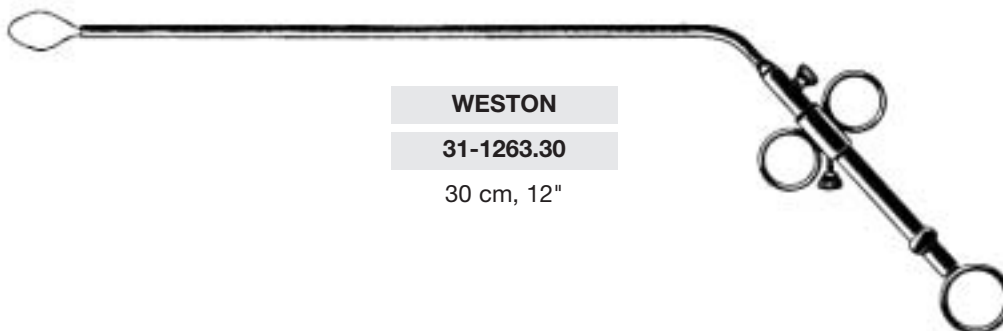
21 cm, 8 1/4"



BUIE

31-1261.41

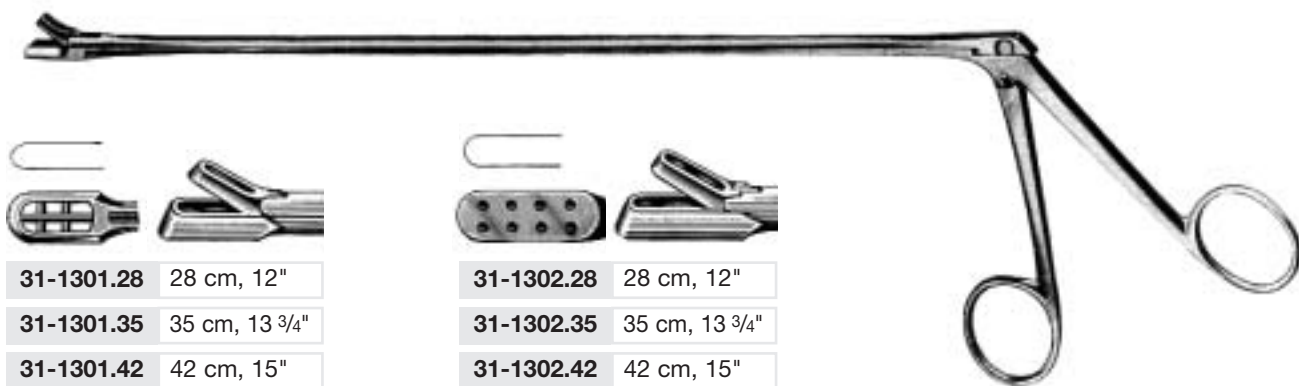
41 cm, 16 1/2"



WESTON

31-1263.30

30 cm, 12"



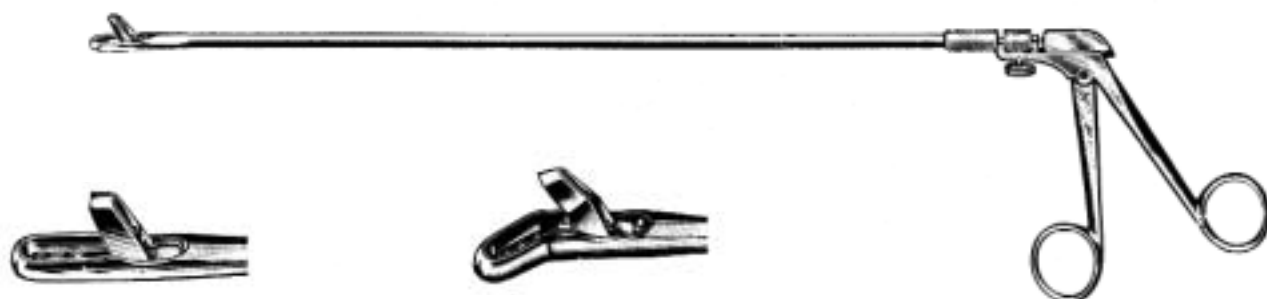
YEOMAN

31-1301.28	28 cm, 12"
31-1301.35	35 cm, 13 3/4"
31-1301.42	42 cm, 15"

31-1302.28	28 cm, 12"
31-1302.35	35 cm, 13 3/4"
31-1302.42	42 cm, 15"

31-1303.28	28 cm, 12"
31-1303.35	35 cm, 13 3/4"
31-1303.42	42 cm, 15"

31-1304.28	28 cm, 12"
31-1304.35	35 cm, 13 3/4"
31-1304.42	42 cm, 15"



TURREL

31-1311.23	23 cm, 9"
31-1311.33	33 cm, 13"
31-1311.40	40 cm, 16"

31-1321.23	23 cm, 9"
31-1321.33	33 cm, 13"
31-1321.40	40 cm, 16"

drehbar
rotatable
rotative
giratoria